

120V AC
Direct Wire

FIREX®

Item 501

Multi-Function Relay Module

Features and Benefits

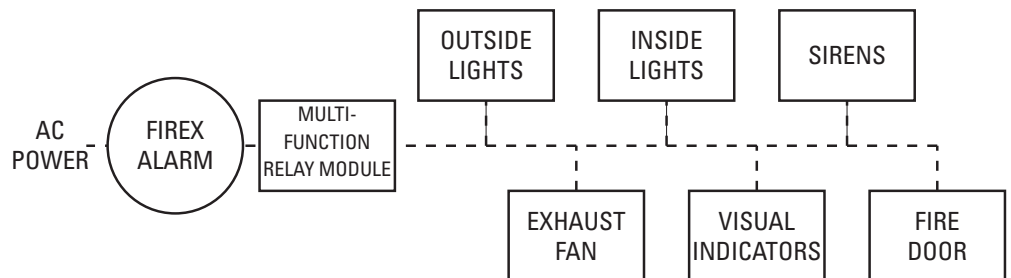
- Can be wired to respond to smoke alarms, CO alarms or both.
- Enables AC or DC powered security devices to interact with Firex® AC powered smoke alarms.
- Turns lights and other devices ON or OFF when alarm is activated and ON or OFF when deactivated.
- Fits in most junction boxes.
- Connects Firex smoke alarms with:
 - Lights
 - Sirens
 - Exit signals
 - Escape lights
 - Exhaust fans
 - Other auxiliary devices
- One Multi-Function Relay Module covers many functions.

Description

NEW

The Firex® 501 Multi-Function Relay Module works with Firex Smoke, CO and combination Smoke/CO alarms, activating door closers, fans, strobe lights and other secondary devices that will alert hearing-impaired individuals and other occupants that a smoke and/or CO alarm signal has sounded. The Multi-Function Relay Module can be interconnected with up to 18 compatible devices.

In addition, the Multi-Function Relay Module can be used in conjunction with fireplaces, furnaces, water heaters and other appliances, turning them off or opening fresh air dampers in the event of a potential hazard.



CAUTION: The relay module is not to be used as a method of extending the maximum number of smoke alarms permitted in multiple station operation. (Refer to smoke alarm manual for specified maximum limit). A maximum of six relays can be used. The relay will not operate without AC power.



An ISO 9002 Certified Company

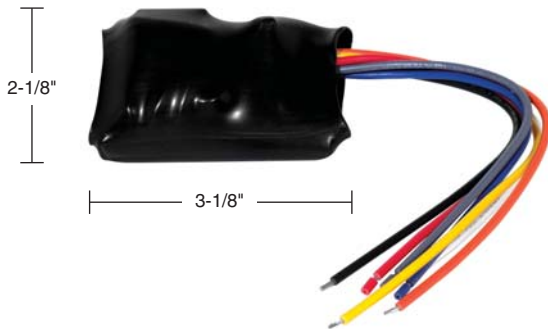


1 Year
Limited
Warranty

Item 501

120V AC
Direct Wire

FIREX®



Installation of Multi-Function Relay Module

IMPORTANT NOTES:

1. Not compatible with FADCQ (7000 series) or COQ8 (6045 series).
2. Firex smoke alarms with orange interconnect wire are not compatible.
3. Not recommended for use with automatic dialers or security panels.

⚠ CAUTION

This relay will not operate without continuous AC power.

Shipping Specifications

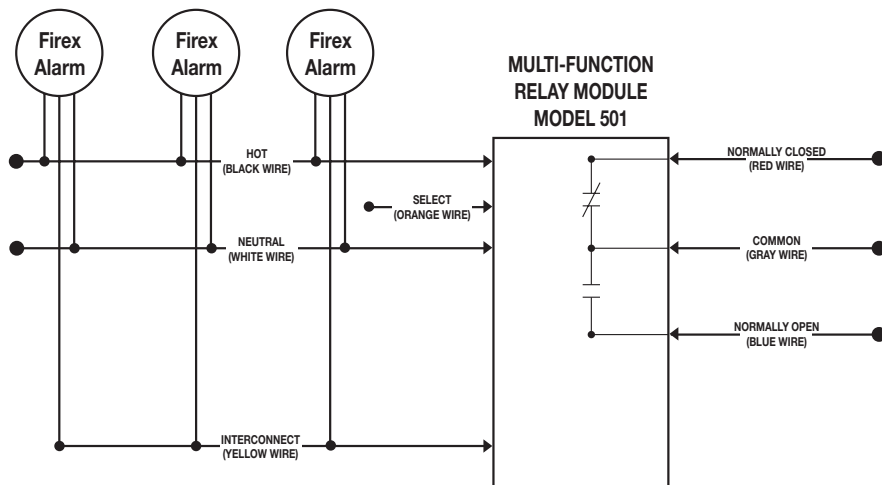
Individual Carton Dimensions	4-3/8"L x 2-5/8"W x 1-1/2"H
Master Carton Quantity	12
Master Carton Dimensions	9-1/4"L x 6-11/16"W x 5-5/8"H
Master Carton Weight	2.7 lbs.
Pallet Quantity	2784
Pallet Dimensions	48"L x 40"W x 50-5/8"H

Technical Specifications

Interconnect Models This module can be used only with the following Firex Smoke, Smoke/CO, and CO alarm models (and item number series): G-6 (406 series), G-18 (418 series), PG (484 series), FADC (4618 and 5000 series), AD (4418 series), ADC (4518 series), GC (4121 series), PAD (4480 series), FPAD (4580 series), FADCM (12000 series), FADCM-B (12200 series), GCM (12400 series), COE (10000 series), or COEA (10400 series). These are low-voltage interconnect alarms with a YELLOW interconnect wire.

Contact Rating 5 amps max. at 120V AC or 28V DC

Listings UL 217/S1966 and ULC C5600



Select (Orange Wire) Connection Chart

Responds to:	Connected to:
CO Alarm Only	Hot (Black Wire)
Smoke Alarm Only	Not connected (cap, tape, or wire nut)
Both CO and Smoke Alarm	Neutral (White Wire)

invensys

Controls Americas
191 E. North Avenue
Carol Stream Illinois 60188 USA
Customer Service Telephone +1 800 951 5526
Customer Service Facsimile +1 630 260 7299
iccacustomerservice@invensys.com
www.icca.invensys.com

©2006 Invensys Controls Americas - #150-1975

3505 Laird Road Unit #14
Mississauga Ontario L5L 5Y7 Canada
Customer Service Telephone +1 800 387 7978
Customer Service Facsimile +1 905 828 1265
iccacustomerservice@invensys.com

Technical Service
Telephone +1 800 445 8299
Facsimile +1 630 260 7243
technicalservice@invensys.com